

# SET-UP SHEET

# XRAY XB8E

RACE: **BASIC SET-UP**

TRACK: \_\_\_\_\_

NAME: \_\_\_\_\_

CITY / COUNTRY: \_\_\_\_\_

CONTACT: \_\_\_\_\_

DATE: \_\_\_\_\_

TEMPERATURE AIR: \_\_\_\_\_ TEMPERATURE TRACK: \_\_\_\_\_

LAPS: \_\_\_\_\_ FINAL POSITION: \_\_\_\_\_ BEST LAP TIME: \_\_\_\_\_ RACE LENGTH: \_\_\_\_\_

/sec /min

**TRACKS**

SIZE:  OPEN  MEDIUM  TIGHT

TRACTION:  LOW  MEDIUM  HIGH

SURFACE:  SMOOTH  MEDIUM  BUMPY

TYPE:  HARD PACKED  SOFT DIRT  CLAY  
 BLUE GROVE  ASTRO TURF  GRASS

CONDITION:  DRY  DUSTY  WET  MUD

**DIFFERENTIAL**

	FRONT	CENTER	REAR
TYPE			
OIL	5000	5000	2000

**GEARING**

PINION	12-17	46	SPUR GEAR
DIFF. PINION	14	46	CROWN GEAR

**SHOCKS**

FRONT	REAR
3 STRIPES <input checked="" type="checkbox"/>	2 STRIPES <input checked="" type="checkbox"/>
550 /cst	400 /cst
0 /%	0 /%
REBOUND	REBOUND
1.1 mm	1.1 mm
1.2 mm <input checked="" type="checkbox"/>	1.2 mm <input checked="" type="checkbox"/>
1.3 mm	1.3 mm
1.4 mm	1.4 mm
6 HOLES	6 HOLES
8 HOLES <input checked="" type="checkbox"/>	8 HOLES <input checked="" type="checkbox"/>
10 HOLES	10 HOLES

OTHER PISTONS: \_\_\_\_\_

**ANTI ROLL BAR**

FRONT: 2.4 /mm THICKNESS REAR: 2.6 /mm

**TIRES**

FRONT	REAR
TYPE	
INSERTS	
WHEELS	

**ELECTRONICS**

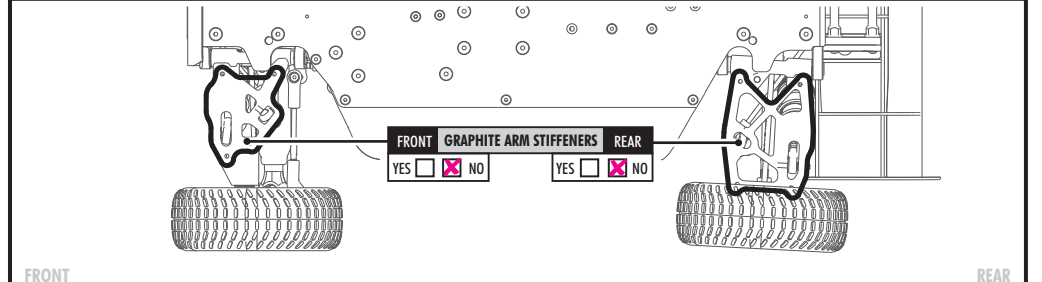
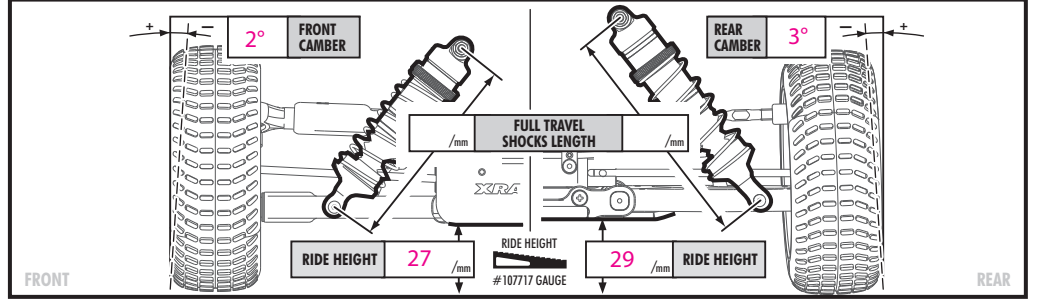
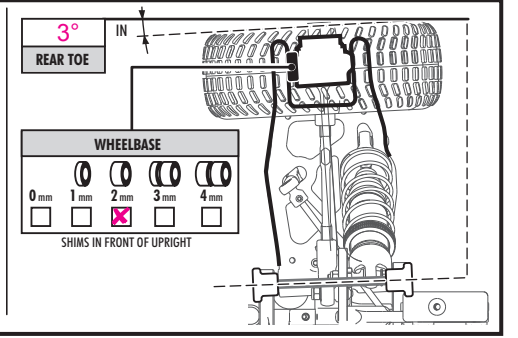
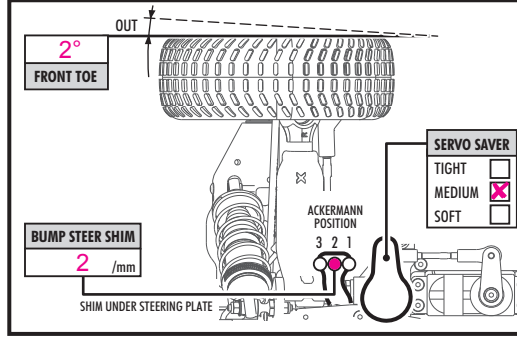
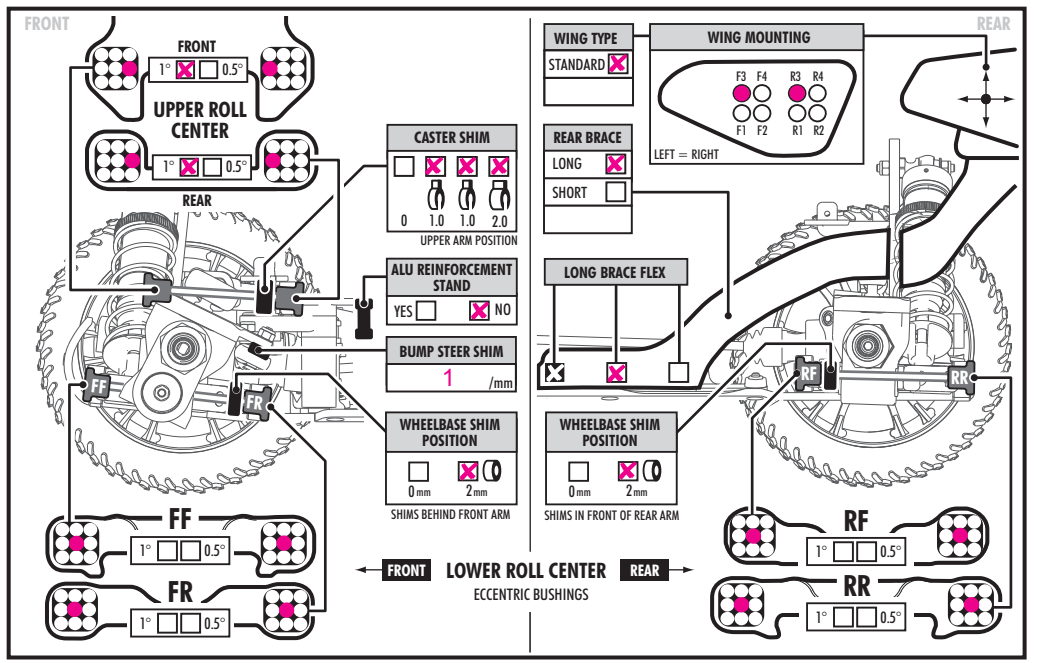
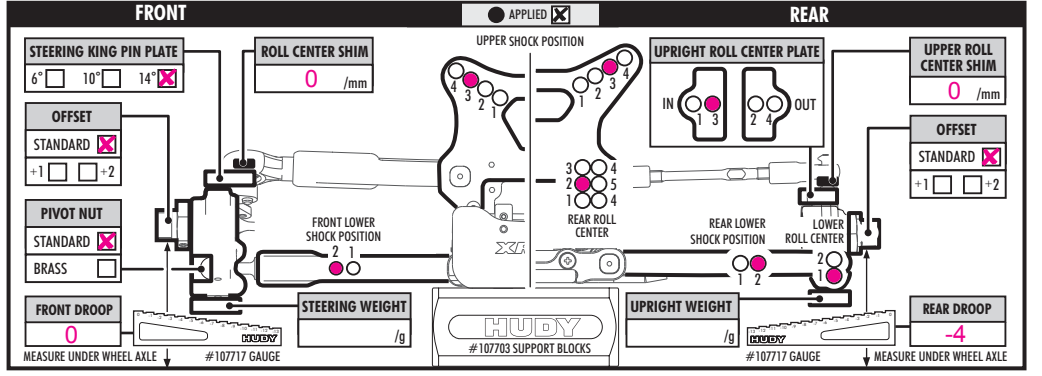
MOTOR: \_\_\_\_\_

SPEEDO: \_\_\_\_\_

BATTERIES: \_\_\_\_\_

**BODY**

TYPE: **XRAY XB8E**



COMMENTS: \_\_\_\_\_